



# 3-100HE

## Carriers

For 4-6 ton excavators  
Or 1-2 ton loaders.

## Hydraulics

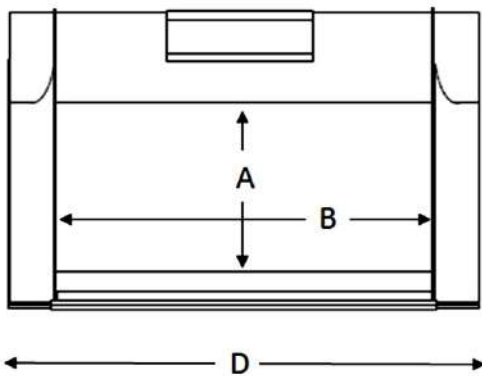
Flow 65 l/m  
Pressure 200 bar

## Weight

360 Kg

## Capacity

0.23 m<sup>3</sup>

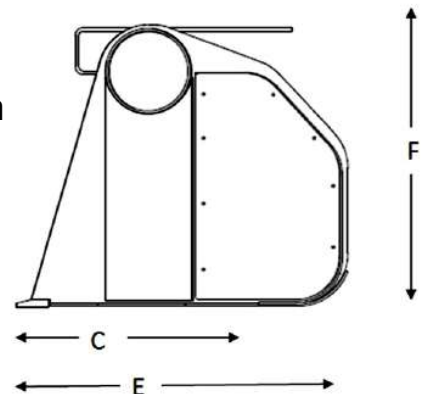


## Screening area

430 mm x 1000 mm

## Dimensions (mm)

A 430    B 1000  
C 500    D 1250  
E 760    F 640



## *Fast efficient screening systems*



**True compact screening**

**Low maintenance bucket**

**Poly stars which screen without crushing**

**Large screening area to maximise output**