



3-120HE

Carriers

For 5-7 ton excavators or
1-3 ton loaders

Hydraulics

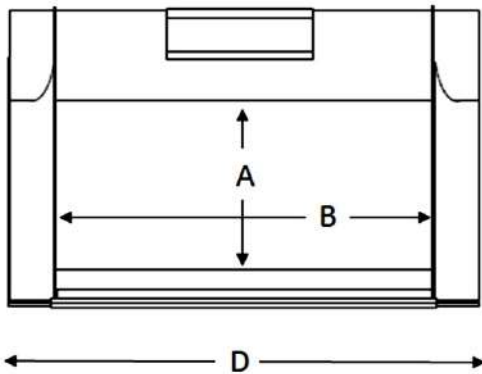
Flow 65 l/m
Pressure 200 bar

Weight

405Kg

Capacity

0.26m³

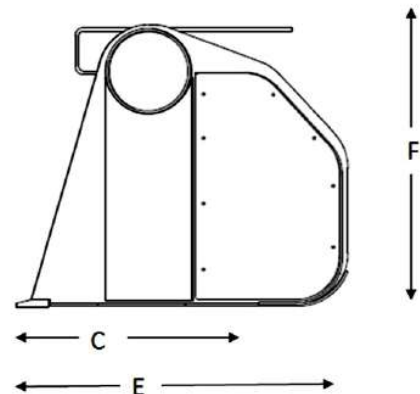


Screening area

430 mm x 1200mm

Dimensions (mm)

A 430 B 1200
C 500 D 1410
E 760 F 640



Fast efficient screening systems



True compact screening

Low maintenance bucket

Poly stars which screen without crushing

Large screening area to maximise output