



# 3-120MAX

## Carriers

For 5-7 ton excavators or  
1-3 ton loaders

## Hydraulics

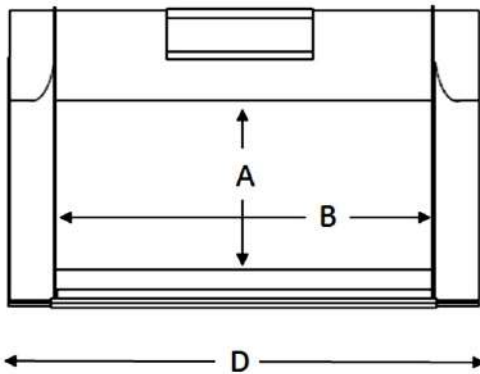
Flow 65 l/m  
Pressure 200 bar

## Weight

405Kg

## Capacity

0.46m<sup>3</sup>



## Screening area

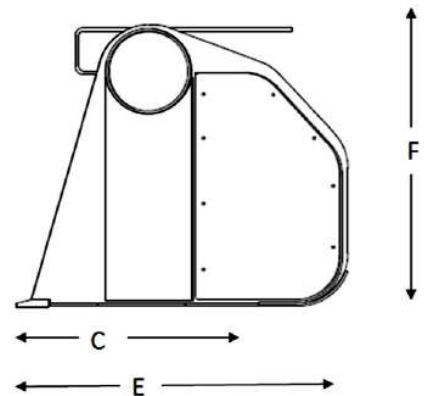
430 mm x 1200mm

## Dimensions (mm)

A 430 B 1200

C 500 D 1410

E 1400 F 640



## *Fast efficient screening systems*



**True compact screening**

**Low maintenance bucket**

**Poly stars which screen without crushing**

**Large screening area to maximise output**