



3-120SL

Carriers

For 1-3 ton loaders

Hydraulics

Flow 65 l/m

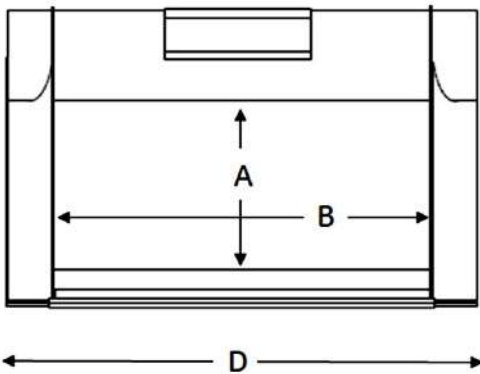
Pressure 200 bar

Weight

405 Kg

Capacity

0.26 m³



Screening area

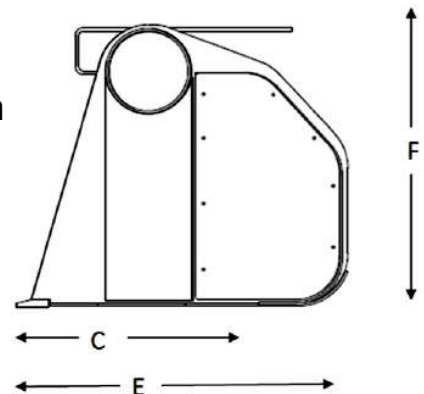
430 mm x 1200 mm

Dimensions (mm)

A 430 B 1200

C 500 D 1410

E 760 F 640



Fast efficient screening systems



True compact screening

Low maintenance bucket

Poly stars which screen without crushing

Large screening area to maximise output