



3-60E

Carriers

For 2 -4 ton excavators

Hydraulics

Flow 55 l/m

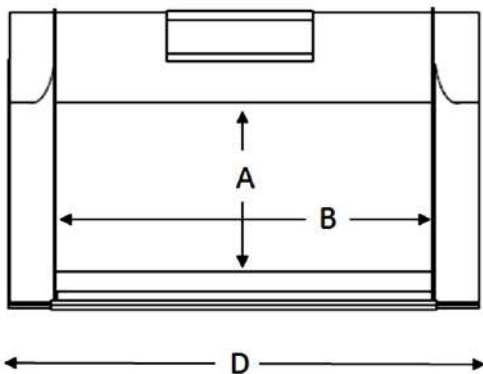
Pressure 200 bar

Weight

240Kg

Capacity

0.13m³



Screening area

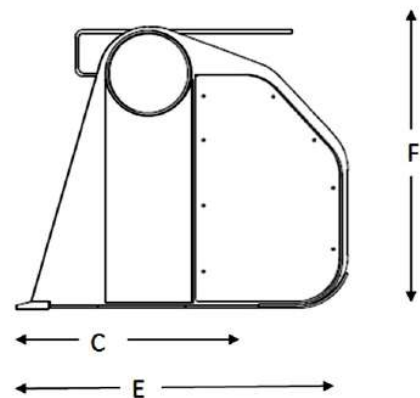
430 mm x 560 mm

Dimensions (mm)

A 430 B 560

C 500 D 810

E 760 F 640



Fast efficient screening systems



True compact screening

Low maintenance bucket

Poly stars which screen without crushing

Large screening area to maximise output