



6-150HDX

Carriers

For 16 - 20 ton excavators

Hydraulics

Flow 150 l/m

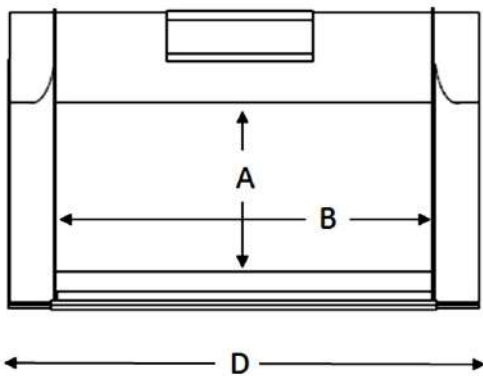
Pressure 200 bar

Weight

1360 Kg

Capacity

1.20 m³



Screening area

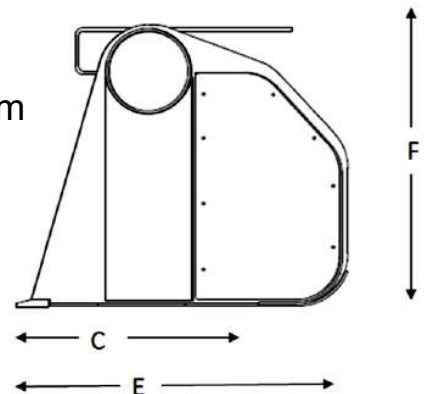
1030 mm x 1500 mm

Dimensions (mm)

A 1030 B 1500

C 900 D 1870

E 1340 F 1300



Fast efficient screening systems



True compact screening

Low maintenance bucket

Poly stars which screen without crushing

Large screening area to maximise output